

IFJ30

Ex d IIC T6



Features

- Fire & Ignition proof.
- AL die-cast LM-6 housing.
- Two earthing for better safety-internal & external.
- Neoprene gasket for trouble free long life.
- External hardware made of SS.
- High rating contacts 10A/240VAC, 16A/240V, 25A/415V, 32A /415 VAC
- Highly reliable professional design.

Description

- ON / OFF Rotary Switch
- 4 way terminal block installed inside
- Wall or structure mountable
- Finish – Epoxy Powder Coated
- Internal Wiring – PVC Wiring with Interwell brass bush



Characteristics

Enclosure

- Aluminium LM-6 - powder coated

Standards Compliance

- IS/IEC 60079-1 : 2014
- IS/IEC 60079-0 : 2011
- IS/IEC 60529 : 2001
- Cat. No.: ILS/RS/201

Cable Entry

- M20 x 1.5 Pitch – 2 Nos.

Mounting

- Wall / Structure

Applicable Use

- Zone 1 & Zone 2
- Gas group IIA, IIB, IIC,
- Temperature class T6

Installation

- Easy installation

Weight

- 1.5 Kg

Applications

- Chemical, paint, fertilizer industries,
- Oil & gas, refinery, petrochemicals,
- LPG bottling, pharmaceutical
- Steel, Cement industries, Mines



10A/240VAC, 16A/240VAC, 25A/415VAC, 32A/415VAC, 50/60 Hz

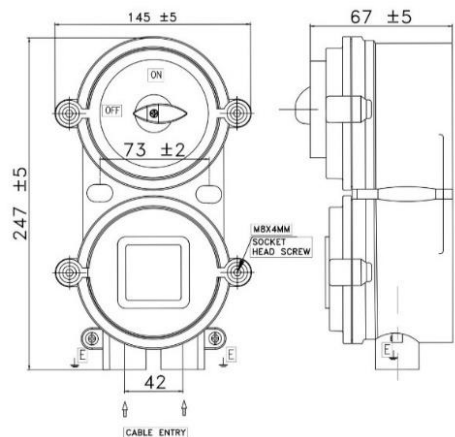


Ta: -10°C to 45°C

Housing Color



Powder Coated – Grey (RAL 7021)

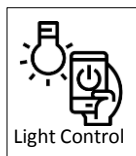


Product Code



Product Code	Current (A)	Voltage (V)	Rotary Cam Switch (ON-OFF)	Terminals	Weight (Kg)
IFJ30-10A2P240VGM20	10A	240V AC	2 Pole	DIN Rail Connector, 4 Way, 2.5~4 Sqmm	1.5
IFJ30-16A2P240VGM20	16A	240V AC	2 Pole	DIN Rail Connector, 4 Way, 2.5~4 Sqmm	1.5
IFJ30-20A2P240VGM20	16A	240V AC	2 Pole	DIN Rail Connector, 4 Way, 2.5~4 Sqmm	1.5
IFJ30-20A4P415VGM20	25A	415V AC	4 Pole	DIN Rail Connector, 8 Way, 2.5~4 Sqmm	1.6
IFJ30-25A4P415VGM20	25A	415V AC	4 Pole	DIN Rail Connector, 8 Way, 2.5~4 Sqmm	1.6
IFJ30-32A4P415VGM20	32A	415V AC	4 Pole	DIN Rail Connector, 8 Way, 2.5~4 Sqmm	1.6

Custom Order



Accessories

Optional at Extra Cost

- Double Compression Cable Gland Brass/SS – M20x1.5 Pitch
- Stopper Plug Brass/SS/MS – M20x1.5 Pitch
- Canopy – MS / GI Powder Coated / FRP Standard Paint

