

IWH10, IWH11



Characteristics

Optics

- Borosilicate Glass Lens
- High transmission 93%
- Non-Removable

Thermal Interface Material

- High thermal conductivity
- Excellent heat transfer

Heat sink

- Aluminium - powder coated
- Excellent thermal conductivity

LED Driver

- Rated Supply: 240V AC, 50/60Hz
- PF > 0.95, THD < 10%
- Short circuit, open circuit,
- O/V, U/V protection

Standards Compliance

- IS 10322
- IS 15885 (Part 2/Sec 13)

Mounting

- Eye Bolt

Installation

- Easy installation

Weight

- 2.5 Kg

Cable Entry

- 1 Nos.

Features

- Soft and comfortable light to relieve the fatigue of eyes.
- Excellent CRI for actual colour reproduction.
- Energy saving efficiency and low heat produce.
- AL die-cast housing for excellent heat management.
- Quick installation, special design,
- Highly reliable professional design.

Applications

- Industry, Ware-house, Airport,
- Shopping Mall, Parking Lot,
- Sports Hall,

- 45W / 60W
- 120 lm/W
- 6500K / 5000K / 3000K
- >80
- Glass Lens – 60° / 90° / 120°
- 90-305V AC, 50Hz
- Inventronics / Fulham / ILS
- In-Built, Surge DM 4Kv CM 6Kv
- Non dimmable / 1-10V / DALI
- COB, Citizen / Bridgelux , SDCM < 3
- Ta: -10°C to 45°C
- Lifespan >50000h @ L70 B50

Housing Color

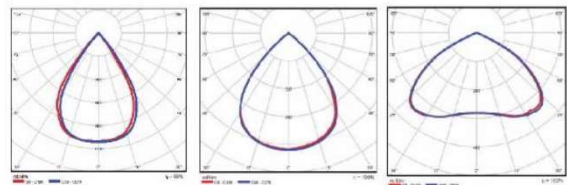


Powder Coated – Black (RAL 9005)



Powder Coated – Grey (RAL 7024)

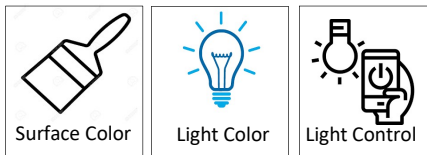
Distribution Curve



Product Code

Product Code	System Power (W)	System Lumen (Lm)	CRI (Ra)	Color Temp (CCT)	Body Color	Beam Angle	Diming	Weight (Kg)
IWH10-045CE865BMNXX	45	5400	80	6500K	Black	60°	Non-Dim	2.5
IWH10-045CE865BWNXX	45	5400	80	6500K	Black	90°	Non-Dim	2.5
IWH10-045CE865BENXX	45	5400	80	6500K	Black	120°	Non-Dim	2.5
IWH10-045CE865BMAXX	45	5400	80	6500K	Black	60°	1-10V	2.5
IWH10-045CE865BWAXX	45	5400	80	6500K	Black	90°	1-10V	2.5
IWH10-045CE865BEAXX	45	5400	80	6500K	Black	120°	1-10V	2.5
IWH10-045CE865BMDXX	45	5400	80	6500K	Black	60°	DALI	2.5
IWH10-045CE865BWDXX	45	5400	80	6500K	Black	90°	DALI	2.5
IWH10-045CE865BEDXX	45	5400	80	6500K	Black	120°	DALI	2.5
IWH10-060CE865BMNXX	60	7200	80	6500K	Black	60°	Non-Dim	2.5
IWH10-060CE865BWNXX	60	7200	80	6500K	Black	90°	Non-Dim	2.5
IWH10-060CE865BENXX	60	7200	80	6500K	Black	120°	Non-Dim	2.5
IWH10-060CE865BMAXX	60	7200	80	6500K	Black	60°	1-10V	2.5
IWH10-060CE865BWAXX	60	7200	80	6500K	Black	90°	1-10V	2.5
IWH10-060CE865BEAXX	60	7200	80	6500K	Black	120°	1-10V	2.5
IWH10-060CE865BMDXX	60	7200	80	6500K	Black	60°	DALI	2.5
IWH10-060CE865BWDXX	60	7200	80	6500K	Black	90°	DALI	2.5
IWH10-060CE865BEDXX	60	7200	80	6500K	Black	120°	DALI	2.5

Custom Order

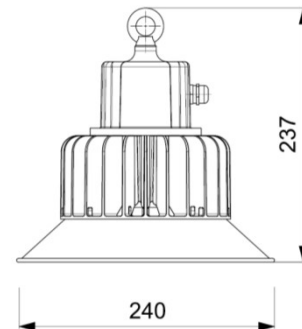


Accessories



Toggle Glass

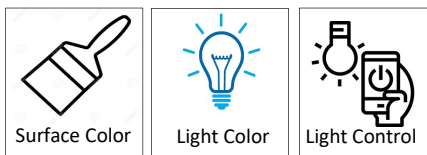
Replace X with G in product code



Product Code

Product Code	System Power (W)	System Lumen (Lm)	CRI (Ra)	Color Temp (CCT)	Body Color	Beam Angle	Diming	Weight (Kg)
IWH11-045CE865BMNXX	45	5400	80	6500K	Black	60°	Non-Dim	2.5
IWH11-045CE865BWNXX	45	5400	80	6500K	Black	90°	Non-Dim	2.5
IWH11-045CE865BENXX	45	5400	80	6500K	Black	120°	Non-Dim	2.5
IWH11-045CE865BMAXX	45	5400	80	6500K	Black	60°	1-10V	2.5
IWH11-045CE865BWAXX	45	5400	80	6500K	Black	90°	1-10V	2.5
IWH11-045CE865BEAXX	45	5400	80	6500K	Black	120°	1-10V	2.5
IWH11-045CE865BMDXX	45	5400	80	6500K	Black	60°	DALI	2.5
IWH11-045CE865BWDXX	45	5400	80	6500K	Black	90°	DALI	2.5
IWH11-045CE865BEDXX	45	5400	80	6500K	Black	120°	DALI	2.5
IWH11-060CE865BMNXX	60	7200	80	6500K	Black	60°	Non-Dim	2.5
IWH11-060CE865BWNXX	60	7200	80	6500K	Black	90°	Non-Dim	2.5
IWH11-060CE865BENXX	60	7200	80	6500K	Black	120°	Non-Dim	2.5
IWH11-060CE865BMAXX	60	7200	80	6500K	Black	60°	1-10V	2.5
IWH11-060CE865BWAXX	60	7200	80	6500K	Black	90°	1-10V	2.5
IWH11-060CE865BEAXX	60	7200	80	6500K	Black	120°	1-10V	2.5
IWH11-060CE865BMDXX	60	7200	80	6500K	Black	60°	DALI	2.5
IWH11-060CE865BWDXX	60	7200	80	6500K	Black	90°	DALI	2.5
IWH11-060CE865BEDXX	60	7200	80	6500K	Black	120°	DALI	2.5

Custom Order



Accessories



Toggle Glass

Replace X with G in product code

