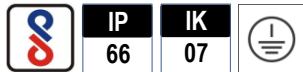


## IWS70



### Characteristics

#### Optics

- Polycarbonate Lens
- High transmission 88%
- Non-Removable
- Toughened Glass

#### Thermal Interface Material

- High thermal conductivity
- Excellent heat transfer

#### Heat sink

- Aluminium - powder coated
- Excellent thermal conductivity

#### LED Driver

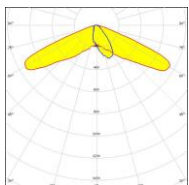
- Rated Supply: 240V AC, 50/60Hz
- PF > 0.95, THD <10%,
- Short circuit, open circuit
- O/V, U/V protection

### Housing Color



Powder Coated – Grey (RAL 7024)

### Distribution Curve



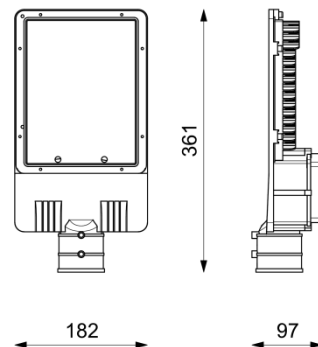
### Features

- Soft and comfortable light to relieve the fatigue of eyes.
- Excellent CRI for actual colour reproduction.
- Energy saving efficiency and low heat produce.
- AL die-cast housing for excellent heat management.
- Quick installation, special design,
- Highly reliable professional design.

### Applications

- Roadways, Pathways, Highways
- Industry, Ware-house, Airport,
- Shopping Mall, Parking Lot,
- Sports Hall

- 60W / 80W / 90W
- 125 lm/W
- 6500K / 5700K
- >70
- Polycarbonate Lens - Asymmetric
- 140-305 AC, 50Hz
- Inventronics
- In-Built, Surge DM 4Kv CM 6Kv
- Non dimmable / 1-10V / DALI
- SMD, Bridgelux /Lumiled , SDCM <5
- Ta: -10°C to 45°C
- Lifespan >50000h @ L70 B50



## Product Code

Product Code	System Power (W)	System Lumen (Lm)	CRI (Ra)	Color Temp (CCT)	Body Color	Beam Angle	Diming	Weight (Kg)
IWS70-060SP757GONXX	60	7500	70	5700K	Grey	140°x60°	Non-Dim	2.4
IWS70-080SP757GONXX	80	10000	70	5700K	Grey	140°x60°	Non-Dim	2.4
IWS70-090SP757GONXX	90	11250	70	5700K	Grey	140°x60°	Non-Dim	2.4
IWS70-060SP757GOAXX	60	7500	70	5700K	Grey	140°x60°	1-10V	2.4
IWS70-080SP757GOAXX	80	10000	70	5700K	Grey	140°x60°	1-10V	2.4
IWS70-090SP757GOAXX	90	11250	70	5700K	Grey	140°x60°	1-10V	2.4
IWS70-060SP757GODXX	60	7500	70	5700K	Grey	140°x60°	DALI	2.4
IWS70-080SP757GODXX	80	10000	70	5700K	Grey	140°x60°	DALI	2.4
IWS70-090SP757GODXX	90	11250	70	5700K	Grey	140°x60°	DALI	2.4

## Custom Order

## Accessories

