

## IFC30

**Ex d IIB T6**



### Features

- Fire & Ignition proof.
- Soft and comfortable light to relieve the fatigue of eyes.
- Excellent CRI for actual colour reproduction.
- Energy saving efficiency and low heat produce.
- AL die-cast housing for excellent heat management.
- Quick installation, special design,
- Highly reliable professional design.

### Applications

- Hospitals,
- Food processing Industry
- Pharmaceutical Industry



### Characteristics

#### Optics

- Borosilicate Glass Lens
- High transmission 80%
- Non-Removable

#### Thermal Interface Material

- High thermal conductivity
- Excellent heat transfer

#### Heat sink

- Aluminium - powder coated
- Excellent thermal conductivity

#### LED Driver

- Rated Supply: 240V AC, 50/60Hz
- PF > 0.95, THD <10%,
- Short circuit, open circuit,
- O/V, U/V protection

#### Standards Compliance

- IS/IEC 60079-1 : 2007
- Cat. No.: SSPL/BH/1842
- IS 15885 ( Part 2/Sec 13)
- EN 61000-3-2, Harmonics Current
- EN 61000-3-3, Voltage Fluctuations, Flicker
- EN 61000-4-5, Surge Immunity
- EN 61547, EMC

#### Mounting

- Recess

#### Installation

- Easy installation

#### Weight

- 12.2 Kg

#### Cable Entry

- ¾ ET 2 Nos.



45W / 60W



100 lm/W



6500K / 5000K / 3000K



>70



Glass Lens – 120°



90-305V AC, 50Hz



Inventronics / Fulham



In-Built, Surge DM 4Kv CM 6Kv



Non dimmable



COB, Citizen / Bridgelux , SDCM <3



Ta: -10°C to 45°C



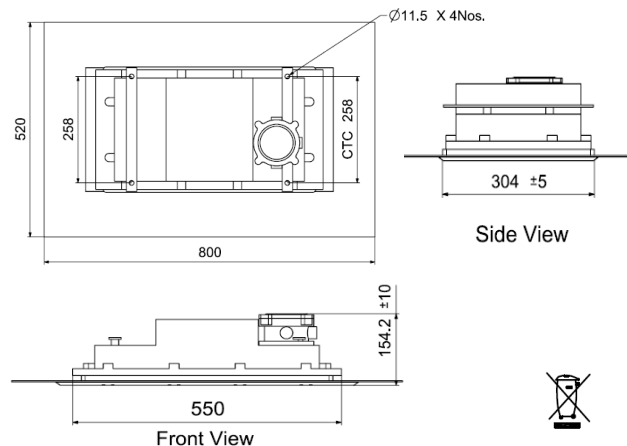
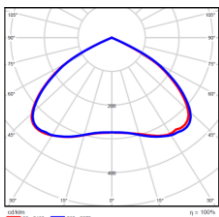
Lifespan >50000h @ L70 B50

### Housing Color



Powder Coated – DA Grey Glossy (RAL-7021)

### Distribution Curve



## Product Code



Product Code	System Power (W)	System Lumen (Lm)	CRI (Ra)	Color Temp (CCT)	Body Color	Beam Angle	Diming	Weight (Kg)
IFC30-045CR765GENXX	45	4500	70	6500K	Grey	120°	Non-Dim	12.2
IFC30-060CR765GENXX	60	6000	70	6500K	Grey	120°	Non-Dim	12.2

Cut-out Size : 550mm x 304mm ±5mm

## Custom Order

## Accessories

